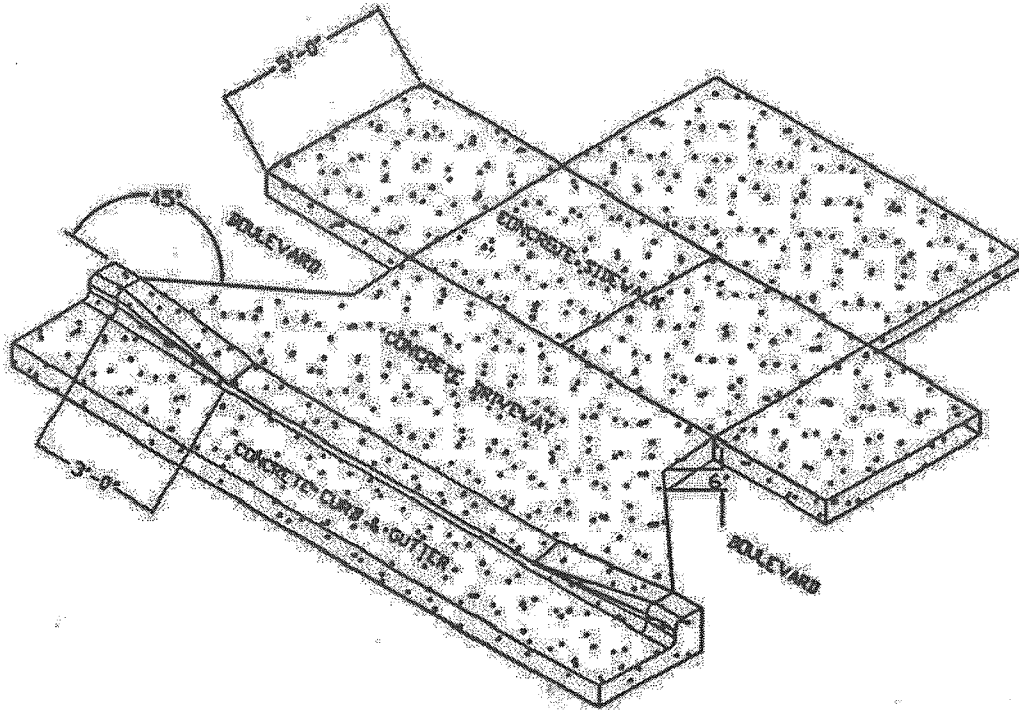
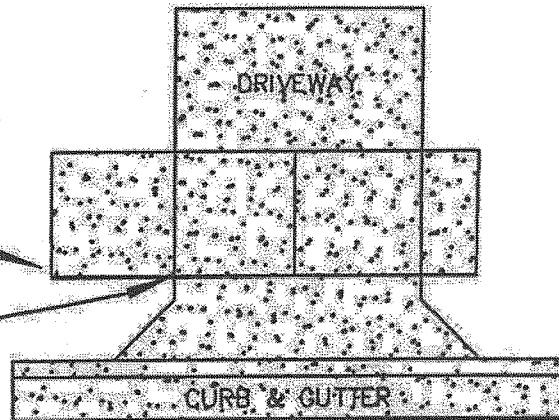


# CONCRETE DRIVEWAY



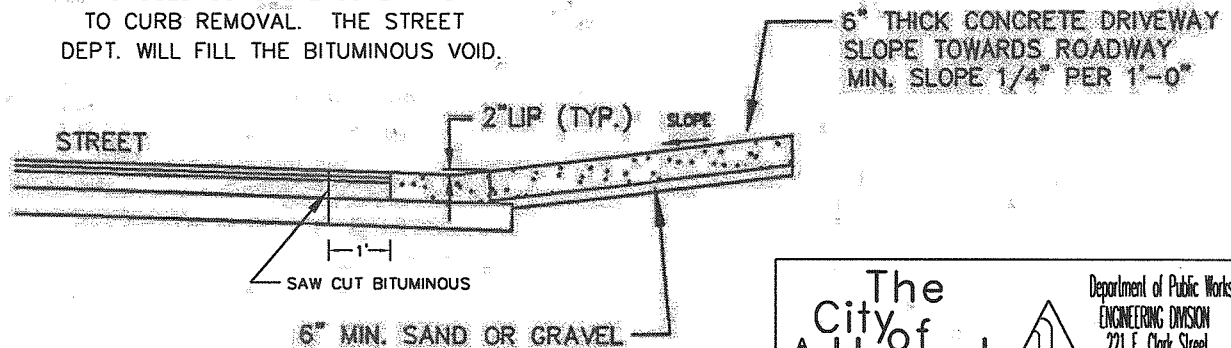
CONTRACTION JOINT  
(FORMED OR SAWED)

1/2" EXPANSION JOINT MATERIAL  
PLACED @ DRIVEWAYS



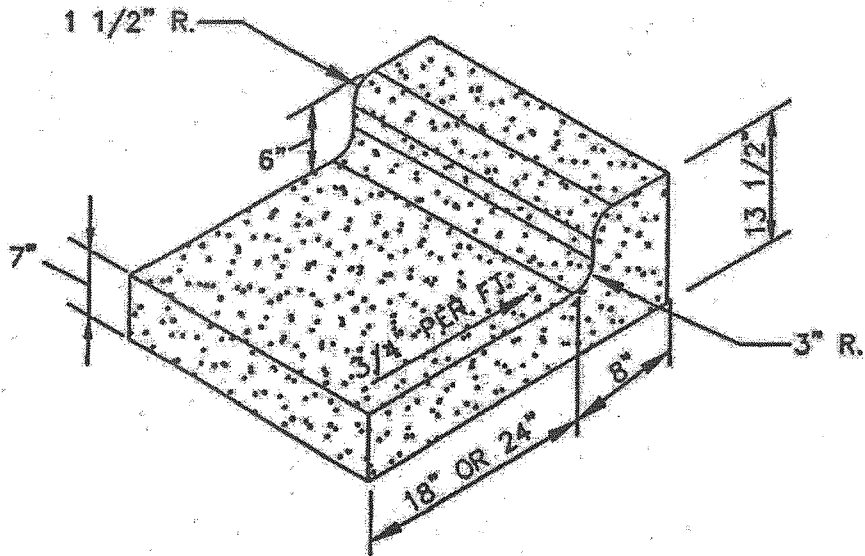
BITUMINOUS STREET NOTE:

SAW CUT EXISTING BITUMINOUS  
APPROXIMATELY 1' BACK FROM  
PROPOSED CONCRETE CURB PRIOR  
TO CURB REMOVAL. THE STREET  
DEPT. WILL FILL THE BITUMINOUS VOID.

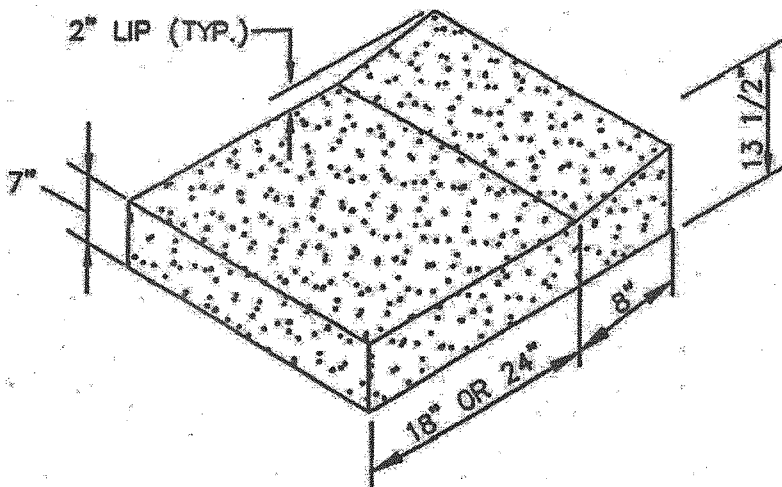


<p>The City of <b>Albert Lea</b></p>		<p>Department of Public Works ENGINEERING DIVISION 221 E. Clark Street Albert Lea, MN 56007</p>
		<p>TELEPHONE 507/297-4325 FAX 507/297-4335</p>
<p>CONCRETE SIDEWALK &amp; DRIVEWAY DETAIL</p>		
<p>CITY ENGINEER STEVEN J. JAHNKE</p>		

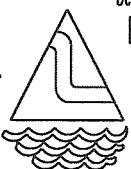
# CONCRETE CURB



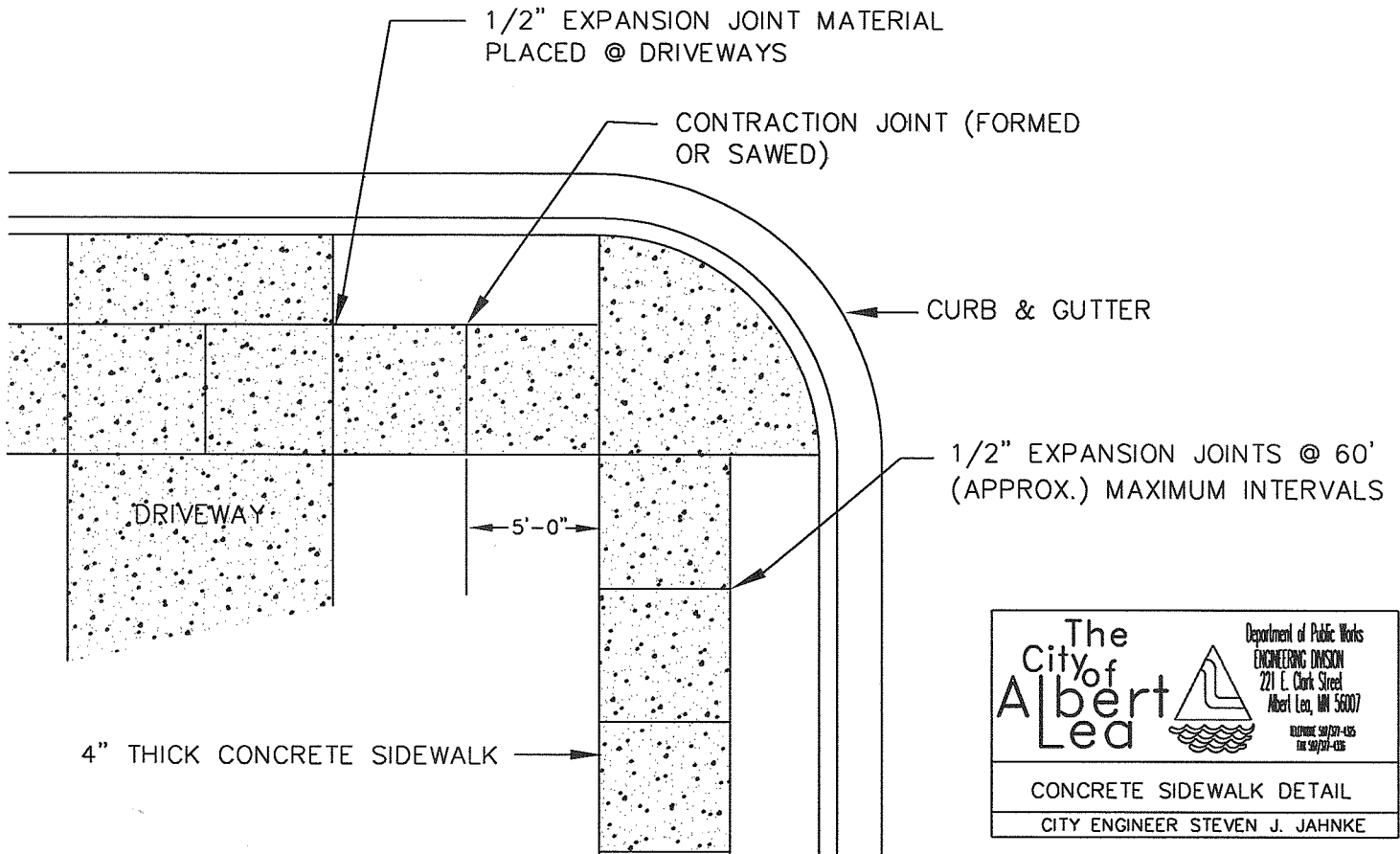
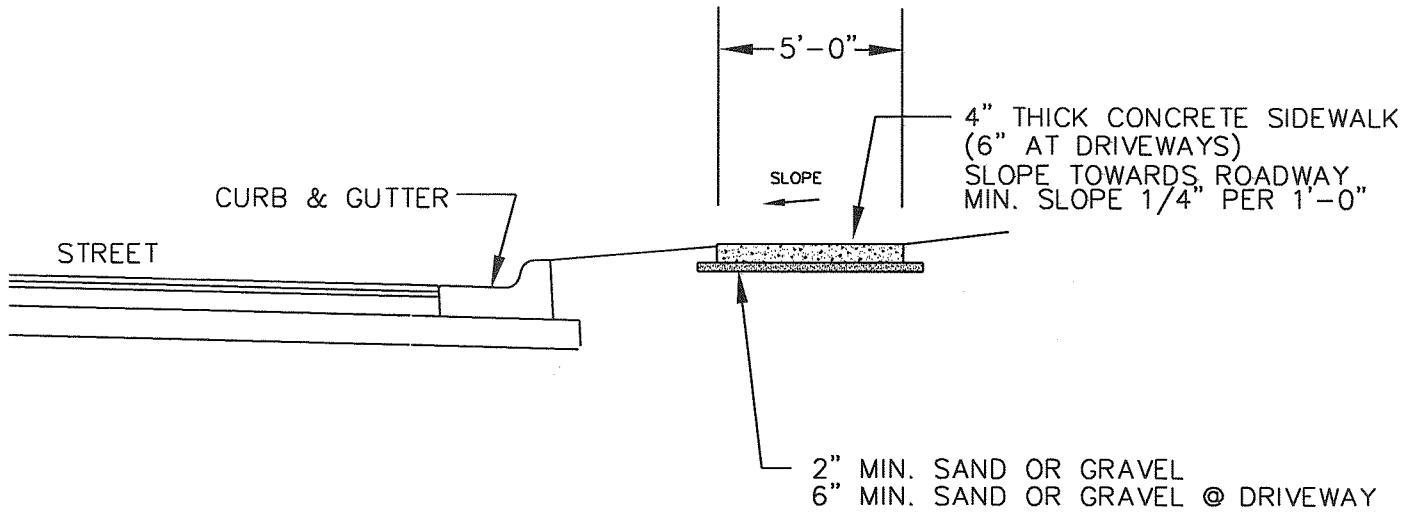
## STANDARD CURB & GUTTER




## DRIVEWAY CURB & GUTTER

<p>The City of Albert Lea</p>		<p>Department of Public Works ENGINEERING DIVISION 221 E. Clark Street Albert Lea, MN 56007 TELEPHONE 507/377-4325 FAX 507/377-4336</p>
<p>CONCRETE CURB &amp; GUTTER DETAIL</p>		
<p>CITY ENGINEER STEVEN J. JAHNKE</p>		

# CONCRETE SIDEWALK



<p>The City of <b>Albert Lea</b></p>		<p>Department of Public Works ENGINEERING DIVISION 221 E. Clark Street Albert Lea, MN 56007</p>
		<p>PHONE: 507-297-4325 FAX: 507-297-4326</p>
<p>CONCRETE SIDEWALK DETAIL</p>		
<p>CITY ENGINEER STEVEN J. JAHNKE</p>		

**CITY OF ALBERT LEA, MINNESOTA**  
**SPECIFICATIONS**  
**REPLACEMENT OF CURB & GUTTER, SIDEWALK, & INTEGRANT CURB**

**1.0 PORTLAND CEMENT CONCRETE (Minnesota Department of Transportation #2461)**

This item shall consist of a mixture of cement, fine and coarse aggregate, and water; proportioned and mixed in accordance with the requirements of these specifications.

**1.1 MATERIAL REQUIREMENTS**

All materials shall be in accordance with Section 2461.2 of the current Minnesota Department of Transportation's Standard Specifications for Highway Construction.

**1.2 MIX REQUIREMENTS**

The basis of design and control of the concrete shall be in accordance with the provisions of Section 2461.3 except as modified below.

This concrete classification shall apply to all sidewalk, curb and gutter, and integrant curb.

Concrete for this Contract shall be as follows as outlined in Section 2461:

Minnesota Department of Transportation Designation

Mix Number: 3A32

Type of Concrete: Type 3 (Air Entrained)

Grade: Grade A

28 Day Compressive Strength: 3900 #/square inch

Slump: 2 inches to 3 inches

Coarse Aggregate Composition: 100% Class "B"

Gradation of Coarse Aggregate: CA25 or CA50 for Structural Concrete

**2.0 CONCRETE SIDEWALK (Minnesota Department of Transportation #2521)**

**2.1 DESCRIPTION**

This work shall consist of the construction of Portland cement concrete sidewalk and sidewalk at driveway locations.

**2.2 MATERIALS**

All materials shall be in accordance with the provisions of Section 2521.2 of the Minnesota Department of Transportation Specifications except as modified in Section 1.0.

**2.3 CONSTRUCTION REQUIREMENTS**

All construction shall be in accordance with the provisions of Section 2521.3 of the Minnesota Department of Transportation Specifications except as modified below:

A. PREPARATION OF FOUNDATION: On well drained soil, the subgrade shall be brought to within two inches of the bottom of the sidewalk and well compacted. Wherever wet, spongy, or soft materials are encountered, such matter shall be excavated below the subgrade to such a depth as the City Engineer may direct. In all cases, sod and other organic material shall be removed for the full width of the section and soil well compacted before placing gravel fill. A minimum of two inches of Class 5 aggregate base shall be placed and compacted under sidewalk except six inches of Class 5 base is required under sidewalk at driveway locations.

- B. JOINTS: Expansion joints shall be placed where the walks butt against existing curbing or driveways. Maximum contraction joint spacing in concrete sidewalk shall be five feet.
- C. BACKFILLING: After removal of the forms, materials from the excavation shall be placed against the sides of the work. Backfilling shall be tamped and shall be sufficient to prevent damage due to storm water erosion of foundation material.
- D. CURING: All sidewalks shall be cured using a membrane curing compound conforming to the requirement of Minnesota Department of Transportation #3754.

**3.0 CONCRETE CURB & GUTTER (Minnesota Department of Transportation #2531)**

**3.1 DESCRIPTION**

This work shall consist of the construction of Portland cement concrete curb and gutter as an integral unit.

**3.2 MATERIALS**

All materials shall be in accordance with the provisions of Section 2531.2 of the Minnesota Department of Transportation specifications except as modified in Section 1.0.

**3.3 CONSTRUCTION REQUIREMENTS**

All construction shall be in accordance with the provisions of Section 2531.3 of the Minnesota Department of Transportation Specifications except as modified below:

- A. PREPARATION OF FOUNDATION: On well drained soil, the subgrade shall be brought to within two inches of the bottom of the curb and gutter and well compacted. Wherever wet, spongy, or soft materials are encountered, such matter shall be excavated below the subgrade to such a depth as the City Engineer may direct. In all cases, sod and other organic material shall be removed for the full width of the section and soil well compacted before placing gravel fill. A minimum of two inches of Class 5 aggregate base shall be placed and compacted under the curb and gutter. Compaction shall be to the satisfaction of the City Engineer.
- B. JOINTS: Contraction joints shall be placed at intervals not to exceed ten feet. Joints shall extend a minimum of two inches below the surface.
- C. BACKFILLING: After removal of the forms, materials from the excavation shall be placed against the sides of the work. Backfilling shall be tamped and shall be sufficient to prevent damage due to storm water erosion of foundation material.
- D. CURING: All curb and gutter shall be cured using a membrane curing compound conforming to the requirement of Minnesota Department of Transportation #3754.

**4.0 AGGREGATE BASE, CLASS 5 (Minnesota Department of Transportation #2211)**

Furnish and install six inches of Class 5 base under all concrete driveway pavements, and a minimum of two inches of Class 5 aggregate base under all sidewalks, curb, and curb & gutter.

**5.0 CONCRETE CURING AND PROTECTION (Minnesota Department of Transportation 2521.3C3(2) )**

All sidewalk, driveway, curb and gutter shall be cured using a membrane curing compound conforming to the requirement of Minnesota Department of Transportation #3754.

**6.0 WORKMANSHIP**

The City will require straight, neat joints with a broom finish on the new sidewalk.

**7.0 INSPECTION**

In accordance with Section 7.17 of the Albert Lea City Code, it is the responsibility of the City Engineer to inspect sidewalk within the City. The owner of property abutting any sidewalk scheduled for repair shall notify the City Engineer of the scheduled repair for the purpose of inspection of the site prior to repair and after repair.

## ARTICLE I. IN GENERAL

### Sec. 50-1. Sidewalk maintenance and repair.

- (a) *Primary responsibility.* It is the primary responsibility of the owner of property upon which there is abutting any sidewalk to keep and maintain such sidewalk in safe and serviceable condition.
- (b) *Construction, reconstruction and repair specifications.* All construction, reconstruction or repair of sidewalks shall be done in strict accordance with specifications on file in the office of the city engineer.
- (c) *Notice when no emergency exists.* Where, in the opinion of the city engineer, no emergency exists, notice of the required repair or reconstruction shall be given to the owner of the abutting property. Such notice shall require completion of the work within 90 days and shall be mailed to the owner shown to be such on the records of the county officer who mails tax statements.
- (d) *Notice in emergency.* Where, in the opinion of the city engineer, an emergency exists, notice of the required repair or reconstruction shall be given to the owner of the abutting property. Such notice shall require completion of the work within ten days and shall be mailed to the owner shown to be such on the records of the county officer who mails tax statements.
- (e) *Failure of owner to reconstruct or make repairs.* If the owner of the abutting property fails to make repairs or accomplish reconstruction as required in this section, the city engineer shall report such failure to the council, and the council may order such work to be done under its direction and the cost thereof assessed to the abutting property owner as any other special assessment.
- (f) *Inspections.* In order to accomplish the purpose of this section, it shall be the duty of the city engineer to inspect sidewalks within the city or cause the inspection under his direction.

(Code 1980, § 7.17)

## ARTICLE II. CONSTRUCTION AND RECONSTRUCTION OF ROADWAYS, SIDEWALKS, CURBS AND GUTTERS

### Sec. 50-36. Procedures; permit; standards.

- (a) *Procedures.* Procedures for the construction and reconstruction of roadway surfacing, sidewalks, curbs and gutters shall be as follows:
- (1) Abutting or affected property owners may contract for, construct or reconstruct roadway surfacing, sidewalk or curb and gutter in accordance with this section if advance payment is made or arrangements for payment considered adequate by the city are completed in advance.
  - (2) The work may be done with or without petition by the methods set forth in M.S.A. § 429.011.
- (b) *Permit required.* It is a misdemeanor to construct a sidewalk, curb and gutter, driveway or roadway surfacing in any street or other public property in the city without a permit in writing from the city engineer. Application for such permit shall be made on forms approved and provided by the city and shall sufficiently describe the contemplated improvements, the contemplated date of beginning of work, and the length of time required to complete the work, provided that no permit shall be required for any such improvement ordered installed by the council. All such applications shall contain an agreement by the applicant to be bound by this chapter and plans and specifications consistent with this chapter and good engineering practices. A permit from the city shall not relieve the holder from damages to the person or property of another caused by such work.
- (c) *Specifications and standards.* All construction and reconstruction of roadway surfacing, sidewalk and curb and gutter improvements, including curb cuts, shall be strictly in accordance with specifications and standards on file in the office of the city engineer and open to inspection and copying there. Such specifications and standards may be amended from time to time by the city, but shall be uniformly enforced.
- (d) *Bond required.* Before any such permit shall be granted, a bond, approved by the city attorney, in an amount equal to the value of the improvements and conditioned upon the completion of the work, shall be deposited with the city clerk.
- (e) *Inspection.* The city engineer shall inspect such improvements as deemed necessary or advisable. Any work not done according to the applicable specifications and standards shall be removed and corrected at the expense of the permit holder. Any work done under this section may be stopped by the city engineer if found to be unsatisfactory or not in accordance with the specifications and standards, but this shall not place a continuing burden upon the city to inspect or supervise such work.

(Code 1980, § 7.07)

### Sec. 50-37. Curb setback for angle parking.

- (a) *Permit required.* It is a misdemeanor for any person to remove or cause to be removed any curb from its position abutting upon the roadway to another position without first making application to the council and obtaining a permit.
- (b) *Agreement for costs and maintenance.* No such permit shall be issued until the applicant and abutting landowner, if other than applicant, shall enter into a written agreement with the city agreeing to pay all costs of constructing and maintaining such setback area in at least as good condition as the abutting roadway, and further agreeing to demolish and remove such setback and reconstruct the area as was at the expense of the landowner, his heirs or assigns if the area ever, in the council's opinion, becomes a public hazard. Such agreement shall be recorded in the office of the county recorder and shall run with the adjoining land.
- (c) *Angle parking signs.* Signs for angle parking only shall be purchased from the city and erected and maintained at the expense of the adjoining landowner in all such setback areas in use or hereafter constructed. It is unlawful for any person to park other than at an angle in such setback areas, as such angle parking is described and allowed in this subsection.
- (d) *Public rights preserved.* Such setback parking areas shall be kept open for public parking, and the abutting landowner shall at no time acquire any special interest or control of or in such areas.

(Code 1980, § 7.14